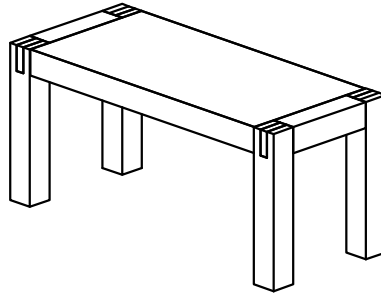


Alaterre Furniture

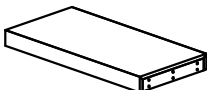
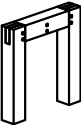
Woodstock Collection 40" Bench







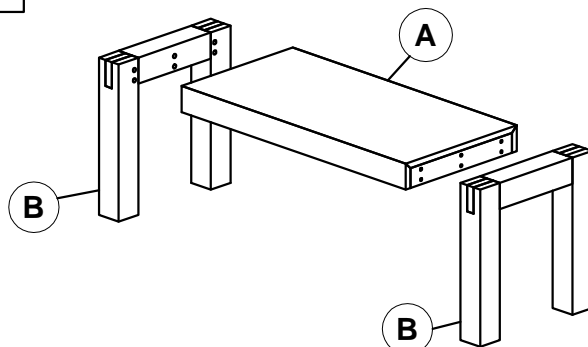
Thank you for purchasing the Woodstock Collection 40" Bench from ALATERRE FURNITURE. We have found it helpful to have a second person present during the assembly process.

Bench Assembly Instructions

Parts

NO.	DRAWING	DESCRIPTION	QTY
A		TOP	1
B		SIDE FRAME	2

NO.	DRAWING	DESCRIPTION	QTY
C		M8x50MM BOLT	12
D		LOCK WASHER	12
E		FLAT WASHER	12
F		ALLEN KEY	1



Step 1

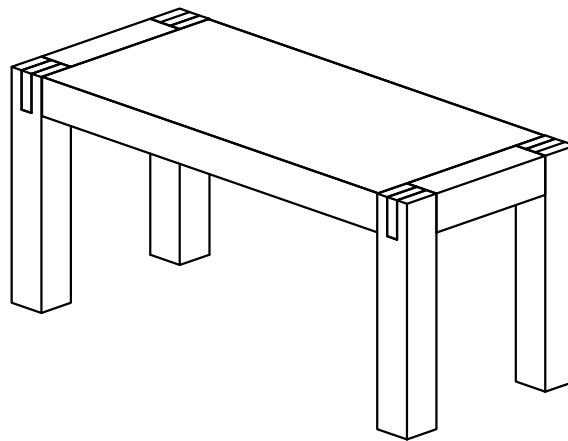
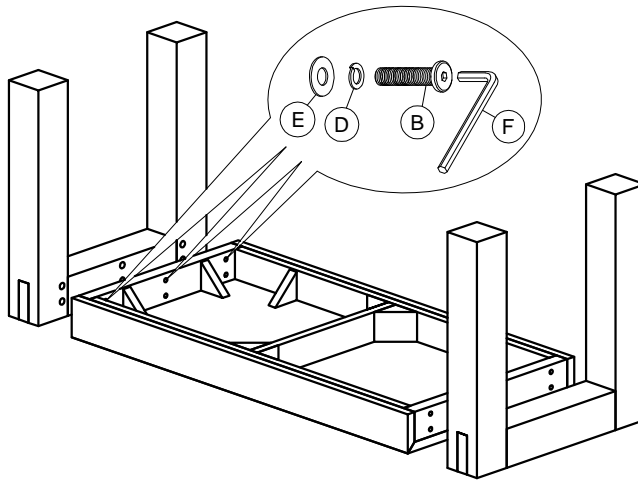
Read through these instructions thoroughly before beginning assembly. We have found this to be of great value when assembling this product.

Step 2

Remove all parts and hardware from packing material. Wooden pieces should be placed on a non abrasive surface to prevent damage to the finish

Step 3

Lay Top Assembly (A) upside down on a non abrasive surface. Attach 2 side frames (B) using 12-50MM Hex Bolts (C), Lock Washer (D) and Flat Washer (E). NOTE: TIGHTEN ALL BOLTS AT THIS TIME!



CARE

Clean with a non abrasive cloth using a mild soap. Make sure to wipe dry.

REPLACEMENT PARTS:

For best service, to order replacement parts go to www.alaterrefurniture.com. Use the order form on the website to order your replacement parts. Thank You!
